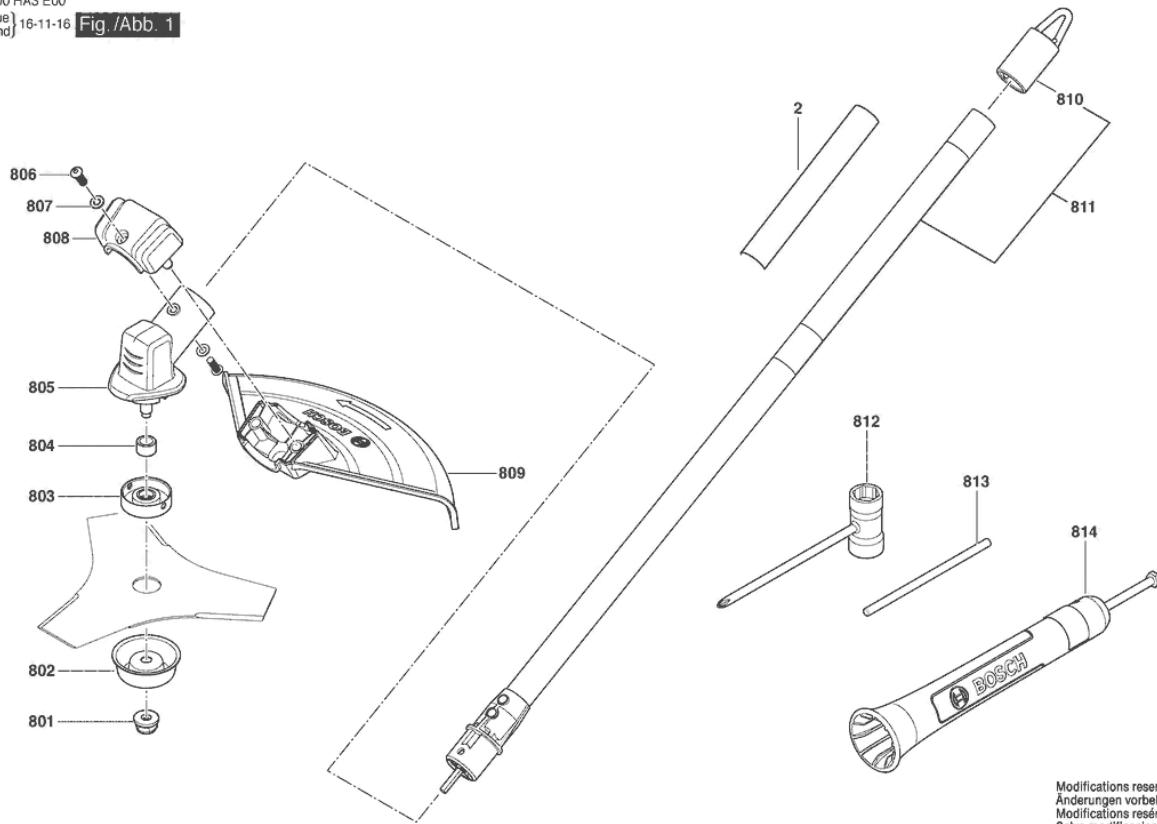


Illustration - Type - E

3 600 HA3 E00
Issue | 16-11-16
Stand | Fig./Abb. 1



Modifications reserved
Änderungen vorbehalten
Modifications réservées
Salvo modificaciones

Spare parts list

Item	Part Number	Description	Illustration
2	F 016 L73 223	Warning Label	1
801	F 016 F04 551	Lock Nut	1
802	F 016 F04 550	Locking Plate	1
803	F 016 F04 549	Holding Fixture	1
804	F 016 F04 790	Metal Ring	1
805	F 016 F04 547	Gear Housing	1
806	F 016 F04 543	Screw	1
807	F 016 F04 823	Washer	1
808	F 016 F04 546	Guard Plate	1
809	F 016 F04 552	Protective Cover	1
810	F 016 F04 482	Cap	1
811	F 016 F04 538	Metal Tube	1
812	F 016 F04 539	Combi Set Of Spanners	1
813	F 016 F04 540	Bar	1
814	F 016 F04 820	Safety Guard	1